

*Research Paper*

## **STUDY ON LABELING OF CERTAIN CLASS OF GRAPHS**

**PREMKUMAR. T**

Research Scholar  
M.Phil Mathematics  
Bharath Institute Of Higher Education And Research

**Dr. N. RAMYA**

Head of the Department, Department Of Mathematics  
Bharath Institute Of Higher Education And Research

### **Address for Correspondence:**

**PREMKUMAR. T**

Research Scholar  
M.Phil Mathematics  
Bharath Institute Of Higher Education And Research  
Mail Id : [presanay@gmail.com](mailto:presanay@gmail.com)

### **ABSTRACT**

A *graph* is a collection of nodes and lines that we call vertices and edges, respectively. A graph can be labeled or unlabeled. In this thesis, we are interested in labeled graphs. In many labeled graphs, the labels are used for identification only. The kind of labeling we are interested in can serve dual purposes: Labeling can be used not only to identify vertices and edges, but also to signify some additional properties, depending on the particular labeling. The study of graph theory was born in the 18th century when the citizens of Königsberg tried to solve the problem of traversing the 7 bridges on the Pregel river. They wondered if they could walk and cross every bridge exactly once and finish back at the starting point. Using graph representation, the well known mathematician Euler found that it is impossible to do it. However, it is fair to say that the formal and systematic study of graph theory began with D. König's book in 1935.

*Research Paper*  
**INTRODUCTION**

Graph theory has rigorous applications in diversified fields like operations research, genetics, computer technology, physics, chemistry, communication networks, electrical network, economics and social sciences. There are many research topics in graph theory. Some of the major themes in graph theory are Graph coloring, Spanning trees, Planar graphs, Networks, Eulerian tours, Hamiltonian cycles, Matching, Domination theory and Graph labeling. Most of these topics have been widely discussed in the literature [13, 20,73].

**LABELING OF GRAPHS**

In the theory of graph labeling the labels are always mathematical objects which may be integers, prime numbers, modular integers, or elements of a group. A lot of research has been done in the topic of labeling of graphs. The study of graph labeling has focused on finding classes of graphs which admit a particular type of labeling. Many practical problems in real life situations have motivated the study of labeling of a graph subject to certain conditions. A systematic presentation of applications of graph labeling is given in [17].

The concept of labeling of graphs has recently gained a lot of popularity in the area of graph theory. Most of the graph labeling method trace their origin to one introduced by Rosa [36]. A graph labeling is an assignment of integers to the vertices or edges or both subject to certain conditions. Labeled graphs serve as useful models in a broad range of applications. Over the past five decades various labeling of graphs such as cordial labeling, prime labeling, magic labeling, antimagic labeling, bimagic labeling, mean labeling, arithmetic labeling, graceful labeling, harmonious labeling etc., have been studied extensively in the literature [17].

*Research Paper*

Some graph labeling for the class of competition graph is also studied in the literature [10]. Throughout the thesis, we consider finite simple and undirected graphs with  $p$  vertices and  $q$  edges.

### 1.3 GRACEFUL GRAPHS

A. Rosa introduced a labeling function  $f$  from a set of vertices in a graph  $G$  to the set of integers  $\{0, 1, 2, \dots, q\}$ , where  $q$  is the number of edges in  $G$ , so that each edge  $xy$  is assigned the label  $|f(x) - f(y)|$ , with all labels distinct. Rosa called this labeling as *valuation*. Independently, Golomb [19] studied the same type of labeling and called the labeling as *graceful labeling* and this is now the popular term.

The Ringel-Kotzig conjecture (GTC) that all trees are graceful has been the focus of many papers. Apart from the theoretical developments, researchers have been trying to find applications of graph labeling. Applications of graph labeling have been found in X-ray crystallography, coding theory, radar, circuit design, astronomy and communication design. Some interesting applications of graph labeling can be found in the literature.

Generally, there are two main basic reasons for developing a theory. First, we may need a new theory to solve a problem. An example of this is graceful labeling that was developed to solve the problem of the decomposition of a complete graph into isomorphic subgraphs. Second, the development of a new theory comes from human curiosity. An example of this is magic labeling. In this thesis, we are mainly driven by the second reason.

### MAGIC AND ANTIMAGIC GRAPHS

*Research Paper*

Interestingly, in 1963 Sedlacek published a paper about another kind of graph labeling[38]. He called the labeling *magic labeling*. It was motivated by the magic square notion in number theory. The weight of a vertex  $v$  in  $G$  under an edge labeling is the sum of edge labels corresponding to all edges incident with  $v$ . If all vertices in  $G$  have the same weight  $k$ , we call the labeling as vertex-magic edge labeling. If all vertices in  $G$  have different weights, then the labeling is called vertex antimagic edge labeling. The weight of a vertex  $v$  in  $G$  under a total labeling is defined as the sum of the label of  $v$  and the edge labels corresponding to all the edges incident with  $v$ . If all vertices in  $G$  have the same weight  $k$ , we call the labeling vertex-magic total labeling. If all vertices in  $G$  have different weights, then the labeling is called vertex-antimagic total labeling.

The weight of an edge  $e$  under a vertex labeling is defined as the sum of the vertex labels corresponding to every vertex incident with  $e$ . If all edges in  $G$  have the same weight  $k$ , we call the labeling as edge-magic vertex labeling. If all vertices in  $G$  have different weights, then the labeling is called edge antimagic vertex labeling. The weight of an edge  $e$  under a total labeling is defined as the sum of the label of  $e$  and the vertex labels corresponding to every vertex incident with  $e$ . If all edges in  $G$  have the same weight  $k$ , we call the labeling as edge-magic total labeling. If all vertices in  $G$  have different weights, then the labeling is called edge antimagic total labeling.

## **LABELINGS IN CAYLEY DIGRAPHS**

In 1878, Cayley constructed a graph for a given group with a generating set which is now popularly known as Cayley graphs. A directed graph or digraph  $G(V,E)$  consists of a finite

*Research Paper*

set of points called vertices and a set of directed arrows between the vertices. Let  $G$  be a finite group and  $S$  be a generating subset of  $G$ . The Cayley digraph denoted by  $\text{Cay}(G,S)$ , is the digraph whose vertices are the elements of  $G$ , and there is an arc from  $g$  to  $gs$  whenever  $g \in G$  and  $s \in S$ . If  $S = S^{-1}$  then there is an arc from  $g$  to  $gs$  if and only if there is an arc from  $gs$  to  $g$ . The Cayley graphs and Cayley digraphs are excellent models for interconnection networks [2]. For example hypercube, butterfly, and cube-connected cycle's networks are Cayley graphs [22].

Though different kinds of labeling were studied and many conjectures were made for different subclasses of graphs, the labeling of well known graph namely Cayley graphs has not been investigated until a new labeling namely super vertex  $(a,d)$ -antimagic labeling for digraphs was introduced in [68]. Moreover the existence of super vertex  $(a,d)$ -antimagic labeling and vertex magic total labeling for a certain class of Cayley digraphs has been investigated in the literature [68]. Thamizharasi and Rajeswari studied magic labelings of Cayley digraphs and its line digraphs[60]. K.Thirusangu et al. studied super vertex  $(a,d)$  antimagic labelling and vertex magic total labelling of certain classes of Cayley digraphs[66]. K.Thirusangu and E.Bala obtained magic and antimagic labelings in Cayley digraphs of 2-generated  $p$ -groups [ 65] . The Product antimagic labelings in Cayley digraphs of 2-generated 2-groups has also been studied in the literature [ 67].

### **COMPLEMENTARY SUPER EDGE MAGIC LABELING**

we concentrate on super- edge magic labeling and complementary super- edge magic labeling for connected graphs. The existing section is followed by introduction and section 2.2 bears the introductory part of complementary super- edge magic labeling which shows the existing of

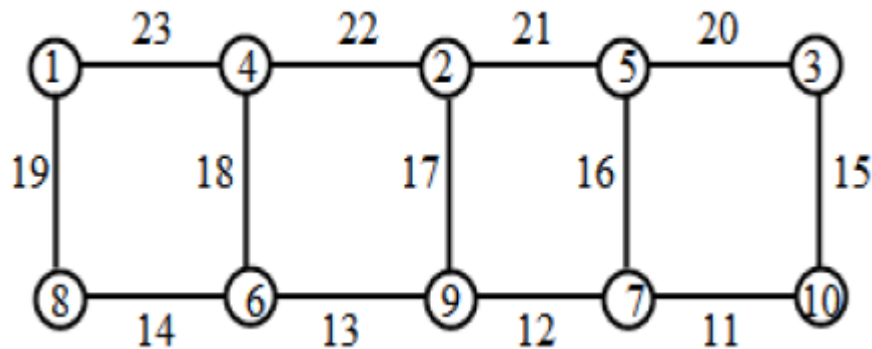
*Research Paper*

this labeling for certain graphs such as for cycle  $C_n$  for odd  $n$  and for the ladder graph. Previously, the results of this section have been published in International Journal of Applied Science & Technology Research Excellence and IJAET. In section 2.3, we deal with complementary super- edge magic labeling for the generalized prism  $C_m \times P_n$  and  $G \cong T(n, n, n-1, n, 2n-1)$ . The results of this section have been published in IJIRSET. In last section, we define complementary super edge magic labeling for  $(n, t)$ - kite ( where  $t=2$ ) graph and union of complete graph  $K_2$  and cycle  $C_n$  (where  $n$  is even and  $n \neq 10$ ) i.e.  $G = P_2 \cup C_n$ .

In 1976, Kotzing and Rosa [118] introduced edge-magic labelings. Interest in magic labelings has been lately rekindled by a paper on the subject (EMT labeling) due to Ringel and Llado [167].

The notion of magic strength introduced by Kong, Lee and Sun [116] was extended to edge- magic graphs and super edge- magic graphs by S. Avadayappan, P. Jayanthi and R. Vasuki [ 18, 19]. They proved the following theorem

In next two Figures, we depict SEM labeling and CSEM labeling of the ladder graph  $L_5$  with  $sems = 28$  and  $csems = 44$  respectively.



**Figure 2.8** : Super edge magic labeling for  $L_5$  with  $sems = 28$

Research Paper

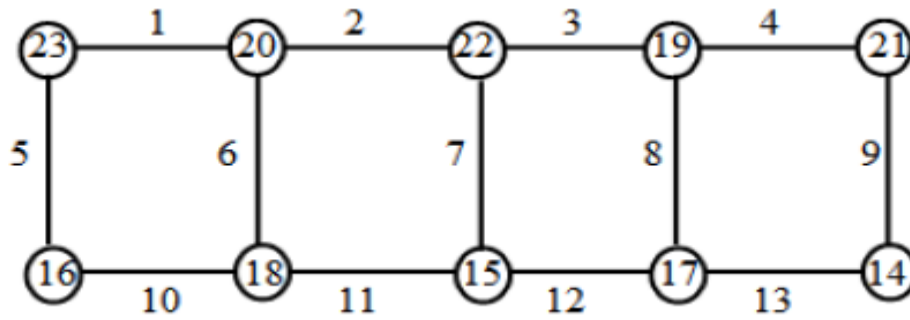


Figure 2.9: Complementary super edge magic labeling for L5 with csems = 44

ZERO EDGE MAGIC AND n-EDGE MATIC GRAPHS

PRELIMINARIES

In this section we give the basic notions relevant to this paper. Let  $G = G(V,E)$  be a finite, simple and undirected graph with  $p$  vertices and  $q$  edges. By a labeling we mean a one-to-one mapping that carries a set of graph elements onto a set of numbers called labels (usually the set of integers). In this paper, we deal with vertex labeling with domain as the set of all vertices.

The vertex-weight of a vertex  $v$  in  $G$  under an edge labeling to be the sum of edge labels corresponding to all edges incident with  $v$ . Under a total labeling, vertex weight of  $v$  is defined as the sum of the label of  $v$  and the edge labels corresponding to all the edges incident with  $v$ . If all vertices in  $G$  have the same weight  $k$ , we call the labeling vertex-magic edge labeling or vertex-magic total labeling respectively and we call  $k$  a magic constant. If all vertices in  $G$  have different weights, then the labeling is called vertex-antimagic edge labeling or vertex-antimagic total labeling respectively.

The edge-weight of an edge  $e$  under a vertex labeling is defined as the sum of the vertex labels corresponding to every vertex incident with  $e$ . Under a total labeling, we also add the label of  $e$ . Using edge-weight, we derive edge-magic vertex or edge-magic total labeling and edge-antimagic vertex or edge-antimagic total labeling.

*Research Paper*

A  $(p,q)$ -graph  $G$  is said to be  $(1,0)$  edge-magic with the common edge count  $k$  if there exists a bijection  $f : V(G) \rightarrow \{1,2,\dots,p\}$  such that for all  $e = (u,v) \in E(G)$ ,  $f(u) + f(v) = k$ . It is said to be  $(1,0)$  edge-antimagic if for all  $e = (u,v) \in E(G)$ ,  $f(u) + f(v)$  are distinct.

## ZERO EDGE MAGIC GRAPHS

A complete  $n$ -ary pseudo tree is 0-edge magic.

**Proof:** Let  $G$  be a complete  $n$ -ary pseudo tree of height  $h$ . Clearly the vertices in level  $l_i$  are adjacent to some vertices in level  $(i - 1)$  and some vertices in level  $(i + 1)$  for  $1 \leq i \leq (h - 1)$ . This is true for all level except the root level  $l_0$  and the leaf level  $l_h$ . Label the vertices in  $i^{\text{th}}$  level as  $-1$  when  $i \equiv 1 \pmod{2}$  and label the remaining vertices as  $1$ .

Therefore, all the vertices in level  $i$  have label  $-1$  when  $i$  is odd and the vertices in  $i - 1^{\text{th}}$  level have label  $1$ . The edges incident at  $i^{\text{th}}$  level vertices has the label zero. If the height of the tree  $h$  is odd, The  $(h - 1)^{\text{th}}$  level is even and the vertices at level  $h$  is adjacent to the vertices in  $(h - 1)^{\text{th}}$  level.

The edges incident at level  $h$  has label  $0$ . Clearly the root vertex is adjacent to the first level vertices, the edges incident with root vertex has label zero. Thus all the edges in  $n$ -ary pseudo tree has label zero and hence  $G$  is zero edge magic.



Research Paper

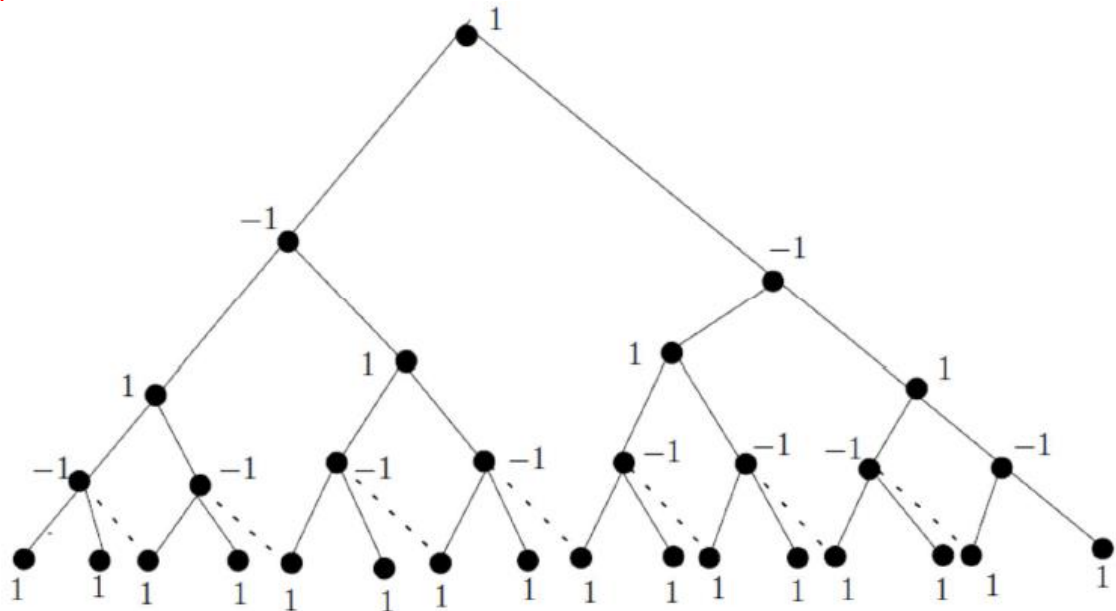


Figure 3.2.1: n-ary psudo tree

**n - EDGE MAGIC GRAPHS**

**Definition 3.3.1**

A  $(p,q)$ -graph  $G$  is said to be  $n$ - edge magic if there exists a surjective  $f : V(G) \rightarrow \{n + 1, -1\}$  such that for each  $uv \in E(G), f(u) + f(v) = n$

**Theorem 3.3.2**

A complete  $k$ - ary tree is  $n$ -edge magic.

**Proof:** Let  $G$  be a complete  $k$ - ary tree of height  $h$ . Clearly the vertices in level  $l_i$  are adjacent to some vertices in level  $(i - 1)$  and some vertices in level  $(i + 1)$  for  $1 \leq i \leq (h - 1)$ . This is true for all the vertices except the vertices in root level  $l_0$  and the leaf level  $l_h$ . Label the vertices in  $i$ th level as  $-1$  when  $i \equiv 1 \pmod{2}$  and label the remaining vertices as  $n + 1$ .

Therefore, all the vertices in level  $i$  have label  $-1$  when  $i$  is odd and the vertices in  $(i-1)^{th}$  level have label  $n+1$ . The edges incident at  $i$ th level vertices has the label  $n$ . If the height of the

*Research Paper*

tree  $h$  is odd, the  $(h - 1)^{\text{th}}$  level is even and the vertices at level  $h$  is adjacent to the vertices in  $(h - 1)^{\text{th}}$  level.

The edges incident at level  $h$  has label  $n$ . Clearly the root vertex is adjacent to the first level vertices, the edges incident with root vertex has label  $n$ . Thus all the edges in a complete  $k$ -ary tree has label  $n$  and hence  $G$  is  $n$  edge magic.

## REFERENCES

1. Acharya B.D. and Hegde, S.M., Arithmetic graphs, J. Graph Theory, Vol.14 (1990) 275-299.
2. Akers S.B, and Krishnamurthy. B, A group theoretic model for symmetric Interconnection networks, IEEE Trans. Comput.38(1989), 555-566.
3. Alfred Andar M, Boxwala.S and Limaye.N, Cordial labelings of some wheel related graphs, J. Combin. Math. Combin. Comput., 41 (2002), 203-208.
4. Andar. M, Boxwala.S and Limaye.N, A note on cordial labelings of multiple shells, Trends Math., (2002), 77-80.
5. Andar. M, Boxwala.S and Limaye.N, On the cordiality of the  $t$ -ply  $P_t(u,v)$ , Ars Combin, 77(2005), 245-259.
6. Andar.M, Boxwala.S and Limaye.N, New families of cordial graphs, J. Combin. Math. Combin. Comput., 53 (2005), 117-154.
7. Baca M, Lin.Y, Miller.M and Simanjuntak.R, New constructions of magic and antimagic graph labeling. Utilitas Mathematica, 60 (2001), 229-239.
8. Baca M, Bertault.F, MacDougall.J, Miller.M, Simanjuntak.R and Slamin, vertex-antimagic total labelings of graphs, Discuss. Math. Graph Theory, 23(2003), 67-83.
9. Bala E, Thirusangu.K, E-Cordial and  $Z_3$  –magic labelings in extended triplicate graph of a path, General Mathematics Notes (GMN), Vol.5, No.2 (2011).
10. Bala E, Thirusangu.K, Graph labelings in competition graph, Indian Journal of Science and Technology, Vol.4, No.8 (2011), 938-943.
11. Baskar Babujee J and Shobana.L, On  $Z_3$ -magic labeling and Cayley digraphs, Int. J.Contemp. Math. Sciences, Vol.5, No.48 (2010), 2357-2368.

*Research Paper*

12. Bloom G.S and Hsu,D.F, On graceful digraphs and a problem in network addressing, Congr. Numer., 35 (1982) 91-103.
13. Bondy J. A and Murty.U.S.R,Graph theory with applications, Elsevier NorthHolland, (1976).
14. Cahit,I, Cordial graphs; a weaker version of graceful and harmonious graphs, Ars Combin, 23(1987), 201-207. 142
15. Cahit,I, On Cordial and 3-equitable labelings of graphs, Util.Math., Vol.37 (1990), 189-198.
16. Figueroa-Centeno.R, Ichishima.R and Muntaner-Batle.F, Betrand’s postulate and magic product labelings, Bull. Instit. Combin. Appl., Vol.30 (2000), 53-65.
17. Gallian.J.A, A dynamic survey of graph labeling, The Electronic Journal of Combinatorics 18 (2015), #DS6.
18. Gnanajothi.R.B,Topics in graph theory, Ph.D.Thesis, Madurai Kamaraj University,(1991).
19. Golomb.S.W, How to number a graph, in graph theory and computing, R.C Read, ed., Academic Press, New York (1972), 23-37.
20. Harary.F, Graph theory, Addison-wesley Pub. (1972).
21. Hartsfield.N and Ringel.G, Pearls in graph theory, Academic press, San Diego (1990).
22. Heydemann.M, Cayley graphs and interconnection networks in Hahn.G and Sabidussi.G (Eds), Graph symmetry: Algebraic methods and Applications, (1997), 167-224.
23. Hovey.M, A-cordial graphs, Discrete Math., Vol. 93 (1991), 183-194.
24. Ibrahim Moussa.M, An algorithm for odd gracefulness of the tensor product of two line graphs, International Journal on applications of graph theory in wireless and hoc networks and sensor networks (GRAPH-HOC) Vol. 3, No.1 (2011).
25. Jayapriya J and K.Thirusangu 0í Edge Magic Labeling for some class of graphs, Indian Journal of Computer Science and Engineering , Vol. 3 No.3 (2012),425-427.
26. Lee,S.M., Seah,E and Wang, P.C., On edge-gracefulness of kth power graphs, Bull. Inst. Math. Acad. Sinica, 18 (1990) 1-11.
27. Lo,S., On edge-graceful labelings of graphs, Congr. Numer., 50 (1985) 231-241.
28. Maged Z. Youssef, On k-cordial labeling, Australlian Journal of Combinatorics, Vol. 43 (2009), 31-37.

*Research Paper*

29. Murali B.J., Thirusangu,K and Madura Meenakshi, R., Biconditional cordial Labeling of Cycles, International Journal of Applied Engineering Research (IJAER), Volume 10, Number 80 (2015),188-191. 143
30. Neelam Kumari, Seema Mehra, E-super vertex magic labeling and V-Super vertex magic labeling , International Journal of Scientific & Engineering Research, Volume 5, Issue 1, (2014), 210-213.
31. Neelam Kumari, Seema Mehra, Some graphs with  $n$  edge magic labeling, International Journal of Innovative Research in Science, Engineering and Technology, Vol. 2, Issue 10, (2013), 5633-5640.
32. Palani K , Rejila Jeya Surya, J., 1-Near mean cordial labeling of Graphs, International Journal of Mathematical Archive-6(7), (2015), 15-20.
33. Pandiselvi L , Nellai Murugan, A and Navaneethakrishnan, S, Some Results On Near Mean Cordial Graph , Global Journal of Mathematics Vol. 4, No. 2, October 06, 2015, 420-426.
34. Ponraj R, M.Sivakumar and M.Sundaram, Mean cordial labeling of graphs, Open Journal of Discrete Mathematics, 2(2012), 145-148.
35. Ponraj, R., Sathish Narayanan., S and Ramasamy, A.M.S., Total mean cordial labeling of Graphs International J.Math. Combin. Vol.4(2014), 56-68.
36. Rosa. A, On certain valuations of the vertices of a graph, Theory of graphs (Internat.Symposium, Rome, July 1996), Gordon and Breach, N.Y. and Dunod Paris (1967), 349-355.
37. Sedlacek.J, On magic graphs, Math. Solv., Vol. 26 (1976), 329-335.
38. Sedlacek.J, Problem 27, in Theory of graphs and its applications, Proc. Symposium Smolenice, (1963), 163-167.
39. Selvam B, Thirusangu,K and Ulaganathan, P.P., (a,d)-antimagic labeling in extended duplicate twig graphs, Indian Journal of Science and technology, Vol. 4, No.2 (2011) 107-111.
40. Selvam B, Thirusangu,K and Ulaganathan, P.P., Graceful and Skolemgraceful labelings in extended duplicate twig graphs, International Journal of Combinatorial Graph theory and Applications, Vol. 4, No.2 (2011) 141-149.
41. Selvam B, Thirusangu,K and Ulaganathan, P.P. Odd and Even graceful labelings in extended duplicate twig graphs, International Journal of Applied Engineering Research, Vol.6, No.8 (2011) 1075-1085.

*Research Paper*

42. Selvam B, Thirusangu,K and Ulaganathan, P.P., Z3-vertex magic total labeling and Z3-edge magic total labeling in extended duplicate graph of twig  $T_m$ , (2012) (Submitted for publication).  
144
43. Sethuraman G and Elumalai,P On graceful graph pendent edge extensions of a family of complete bipartite and complete tripartite graphs, Indian. Journal of Pure and Appl. Math., Vol. 32 (2001) 1283-1296.
44. Shiu,W. C. Lam, P. C. B., Super-edge-graceful labelings of multi-level wheel graphs, fan graphs and actinia graphs, Congr. Numer., 174 (2005) 49-63.
45. Shiu, W. C. and Lee, S. M. Some edge-magic cubic graphs, J. Combin. Math.Combin. Comput., 40 (2002) 115-127.
46. Solairaju A and Sasikala, A., Gracefulness of a spanning tree of the graph of product of  $P_m$  and  $C_n$ , The Global Journal of Pure and Applied Mathematics of Mathematical Sciences, Vol. 1, No.2 (July-Dec 2008) 133-136.
47. Solairaju A and Vimala,C., Gracefulness of a spanning tree of the graph of Cartesian product of  $S_m$  and  $S_n$ , The Global Journal of Pure and Applied Mathematics of Mathematical Sciences, Vol. 1, No.2 (July-Dec 2008) 117-120.
48. Solairaju A and Chitra,K., Edge-odd graceful labeling of some graphs, Electronics Notes in Discrete Mathematics Volume 33, (2009) 15.
49. Solairaju A and Muruganatham, P., Even vertex gracefulness of even number of copies of  $C_4$ , accepted for publication in Serials Publications, New Delhi, India.
50. Solairaju A and Muruganatham, P. Even vertex gracefulness of path merging circuits, Indian Journal of Mathematics and Mathematical Sciences, Vol. 6, No.1, (2010), 27 – 31.